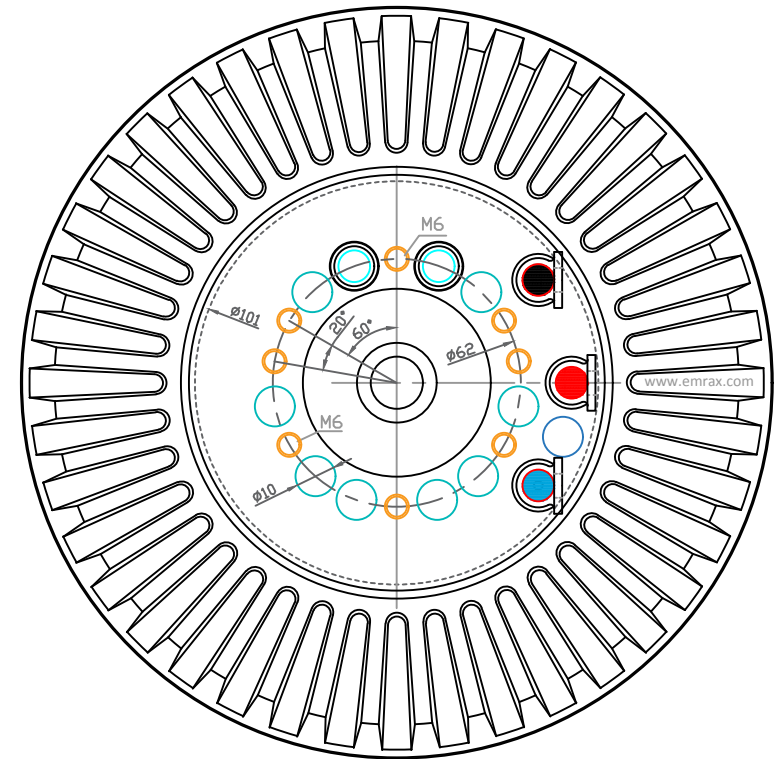
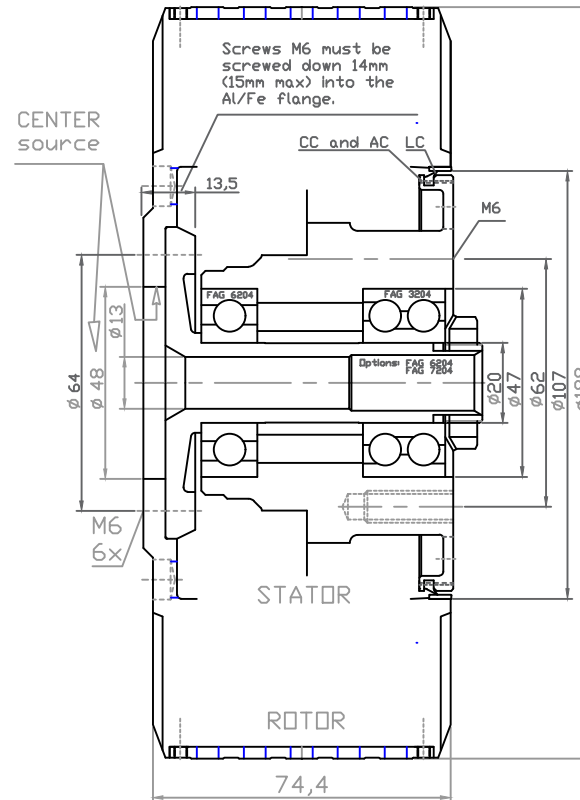


FRONT VIEW



BACK VIEW

Bearings 6204:6204 - Front and back bearing are for radial forces (standard).
 Bearings 6204:7204 - Front bearing is for radial forces, back bearing is for axial-radial forces. Bearing combination is for pull mode (for e.g. air propeller).
 Bearings 6204:3204 - Front bearing is for radial forces, back bearing is for axial-radial forces. Bearing combination is for pull-push mode. "D" bearing orientation.

EMRAX 188
 100Nmp, 70kWp at 7000RPM; weight: 7,0kg