

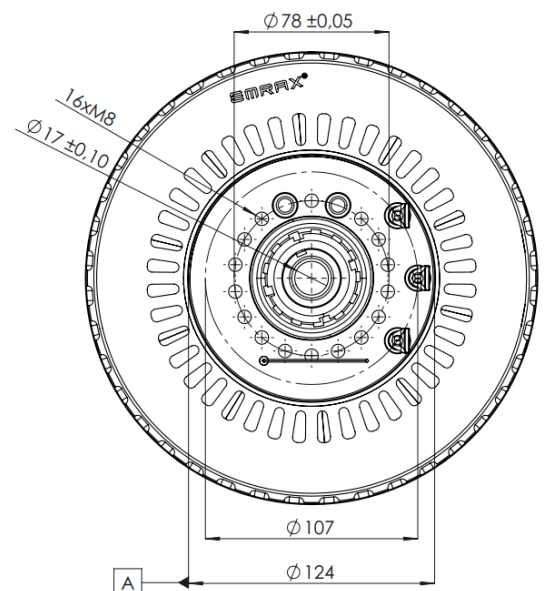
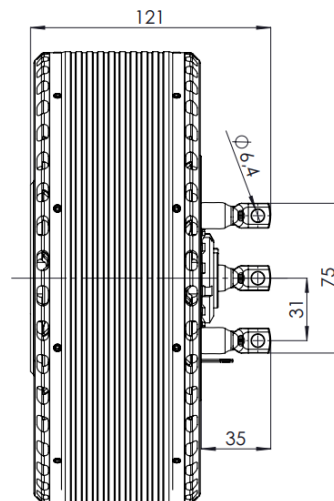
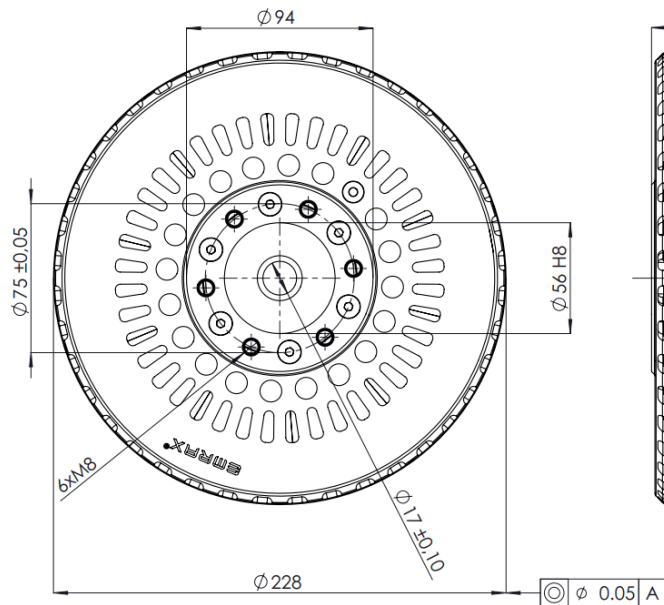
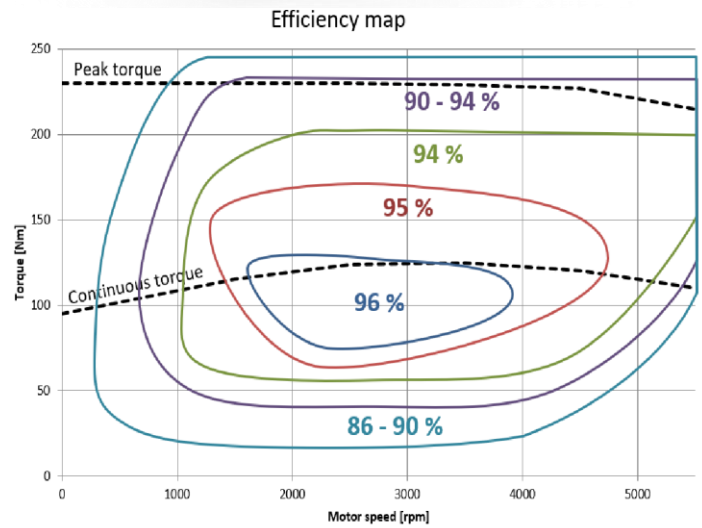
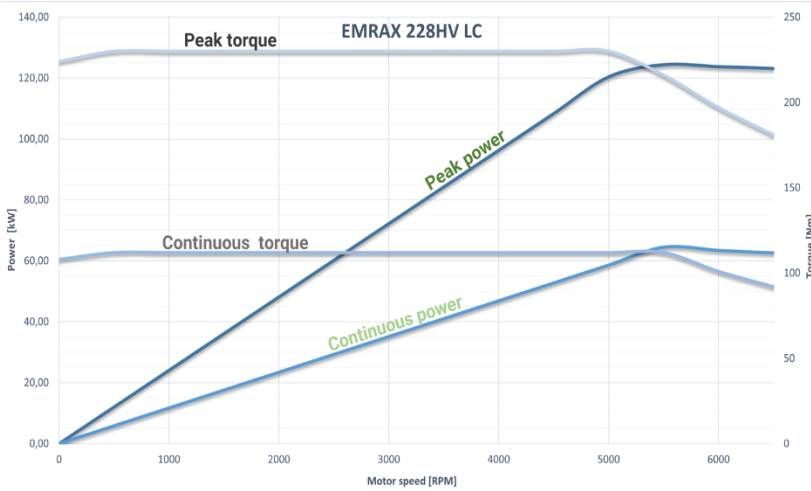
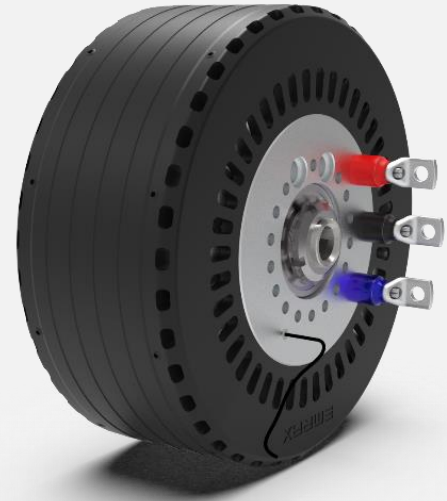
EMRAX 228 is a compact axial flux permanent magnet synchronous electric motor with high power/torque density.

It offers the middle of the range performance and is a great fit for where high power output in a small package is needed. Contact us to find out about its typical applications!

EMRAX 208

DIAMETER LENGTH	228 mm 86 mm
WEIGHT	12,9-13,5 kg
COOLING	air / water / combined
PEAK CONTINUOUS POWER	124 kW 75 kW*
PEAK CONTINUOUS TORQUE	230 Nm 130 Nm*
MAXIMUM SPEED	6500 RPM
OPERATING VOLTAGE	50 - 710 V
EFFICIENCY	up to 96%*
POSITION SENSOR	resolver / encoder

*Subject to motor configuration, drive cycle, thermal conditions, and controller capability.



**EMRAX 228
High Voltage**
**EMRAX 228
Medium Voltage**
**EMRAX 228
Low Voltage**

	AC	LC	CC	AC	LC	CC	AC	LC	CC
AC = Air cooled LC = Liquid cooled CC = Combined cooled (Air + liquid)	AC	LC	CC	AC	LC	CC	AC	LC	CC
Ingress protection	IP21	IP65	IP21	IP21	IP65	IP21	IP21	IP65	IP21
Cooling specifications	ambient air 20°C 20 m/s	min. 6 l/min, max. 50°C	AC+LC*	ambient air 20°C 20 m/s	min. 6 l/min, max. 50°C	AC+LC*	ambient air 20°C 20 m/s	min. 6 l/min, max. 50°C	AC+LC*
Maximum motor temperature [°C]	120								
Motor connection type	UVW or 2x UVW			UVW or 2x UVW			UVW or 2x UVW		
Design voltage - nominal [V _{DC}]	710			520			180		
Motor peak efficiency [%]	96%								
Peak power S2 2min [kW]	124 kW at 5500 RPM								
Continuous power S1 (kW)	55	64	75	55	64	75	55	64	75
Peak torque [Nm]	230								
Continuous torque [Nm]	96	112	130	96	112	130	96	112	130
Limiting speed [RPM]	6500								
Motor constant K _v	10,12			15,53			40,45		
Motor constant K _T	0,94			0,61			0,24		
Peak motor current [A _{RMS}]	250			380			1000		
Continuous motor current [A _{RMS}]	120			180			470		
Internal phase resistance at 25 °C [mΩ]	15,48			7,06			1,35		
Induction between two phases [μH]	225,5			96,5			15,0		
Induced voltage [V _{RMS} /RPM]	0,07348			0,04793			0,01840		
Magnetic flux – axial [V _s]	0,05728			0,03737			0,01434		
Temperature sensor on the stator windings	KTY 81/210								
Number of pole pairs	10								
Winding configuration	star								
Rotor Inertia [kg*m ²]	0,02521								
Bearing configuration	6206 3206								
Weight [kg]	12,9	13,5	13,2	12,9	13,5	13,2	12,9	13,5	13,2

*Combined cooled motor (CC) requires cooling specifications from air and liquid cooled motors, to reach its specifications. It cannot only be cooled as an air-cooled motor. Every EMRAX motor requires sufficient air circulation. The motors should not be completely enclosed in any condition. Please check EMRAX motor manual to learn more. Performance in your application will depend on your installation details and boundary conditions. Please contact us to learn more.

Values given are for a standard 3 phase UVW version, please consult EMRAX on 2x UVW values.